

4

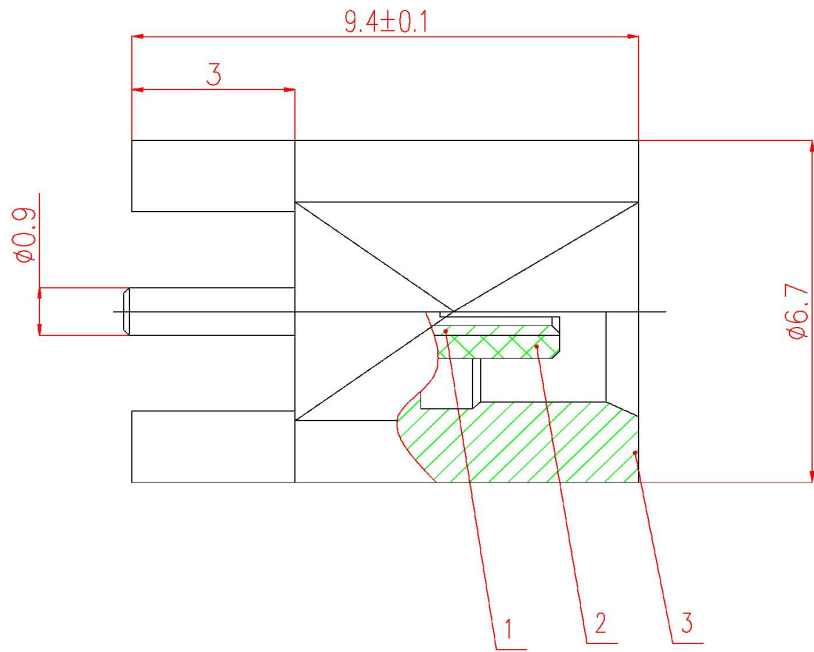
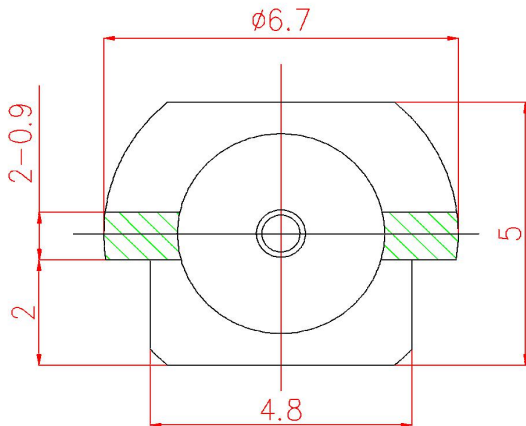
3

2

1

THIS DRAWING UNPUBLISHED.	RELEASED FOR PUBUCATION
---------------------------	-------------------------

LOC	DIST	REVISIONS					
---	---	P	LTR		DATE	DWN	APVD
			---	---	---	---	---



NOTES:

1.ELECTRICAL:

- 1.1 IMPEDANCE: 50Ω
- 1.2 INSULATION RESISTANCE:5000M Ω
- 1.3 FREQUENCY RANGE: DC-6 GHz
- 1.4 DIELECTRIC WITHSTANDING VOLTAGE: 750V MAX AT SEA LEVEL
- 1.5 VSWR: ≤1.20:1
- 1.6 INSERTION LOSS: 0.25dB (MAX)

2.ENVIRONMENTAL:

- 2.1 TEMPERATURE RANGE: -55° to +125°

3.MATERIAL AND FINISH:

- 3.1 INNER CONDUCTOR MATERIAL: BERYLLIUM BRONZE GOLD PLATING
- 3.2 INSULATOR: PTFE
- 3.3 EXTERNAL CONDUCTOR MATERIAL: BRASS GOLD PLATING

MODEL	1	2	3	/
XQY-MCXKEF-TB	BERYLLIUM BRONZE	PTFE	BRASS	/
	GOLD PLATING	/	GOLD PLATING	/
Accept custom sizes and styles				

THIS DRAWING IS A CONTROLLED DOCUMENT		21/10/2021	Shenzhen xinqiyuan Technology Co., Ltd.	
		CHK		
DIMENSIONSMM		TOLERANCES UNLESS OTHERWISE SPECIFIED: ±0.1	NAME MCX Female RF Coaxial Connector Printed circuit board	
		Note: Dimensions (mm / [inch])	DRAWING NO XQY-MCXKEF-TB	
			APVD	SIZE A4
		APPLICATION SPEC		
		WEIGHT		

4

3

2

1